

Item	Name	Number	QTY
1	50lowerhandrailassy-10	90700006_57	2
2	57lowerhandrailassy-8	90700004_57	2
3	cl-baseweldment15	C0000671	1
4	cl-bracetubel4	C0000549	2
5	cl-bracetubel8	C0000615	4
6	COUNTERWEIGHT_CL_ASSY-200	92000049	1
7	cl-lefttophandrail-assy4	C0000711	1
8	cl-rearguardrail-assy2	C0000712	1
9	cl-righttophandrail-assy4	C0000715	1
10	cl-topstep-assy4	C0000718	1
11	cl-verticalweldment10	C0000700	1
12	Handrail Bracket	900024	10
13	PH--HARDWAREKIT6-15STEPCL	PH--HARDWAREKIT6-15STEPCL	1
14	stair_section_p_1540-cl	C0000727	1
15	toeguardplate8	C0000655	2

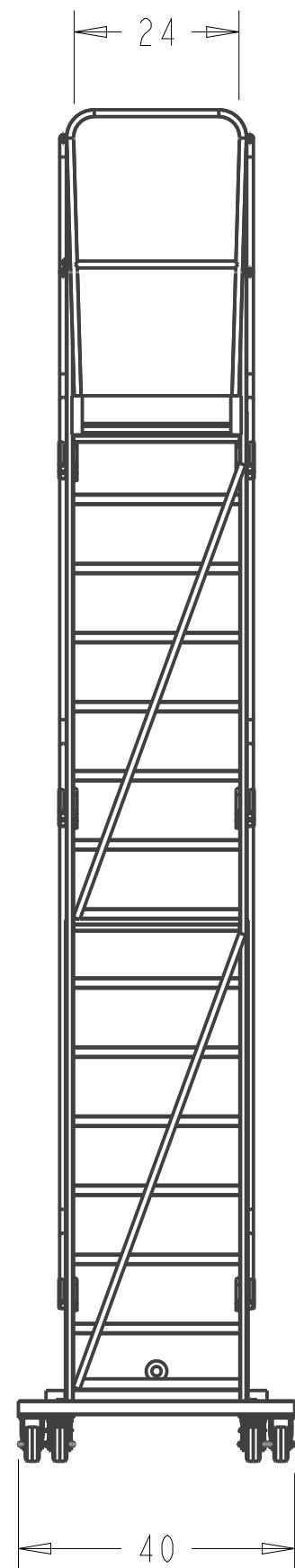
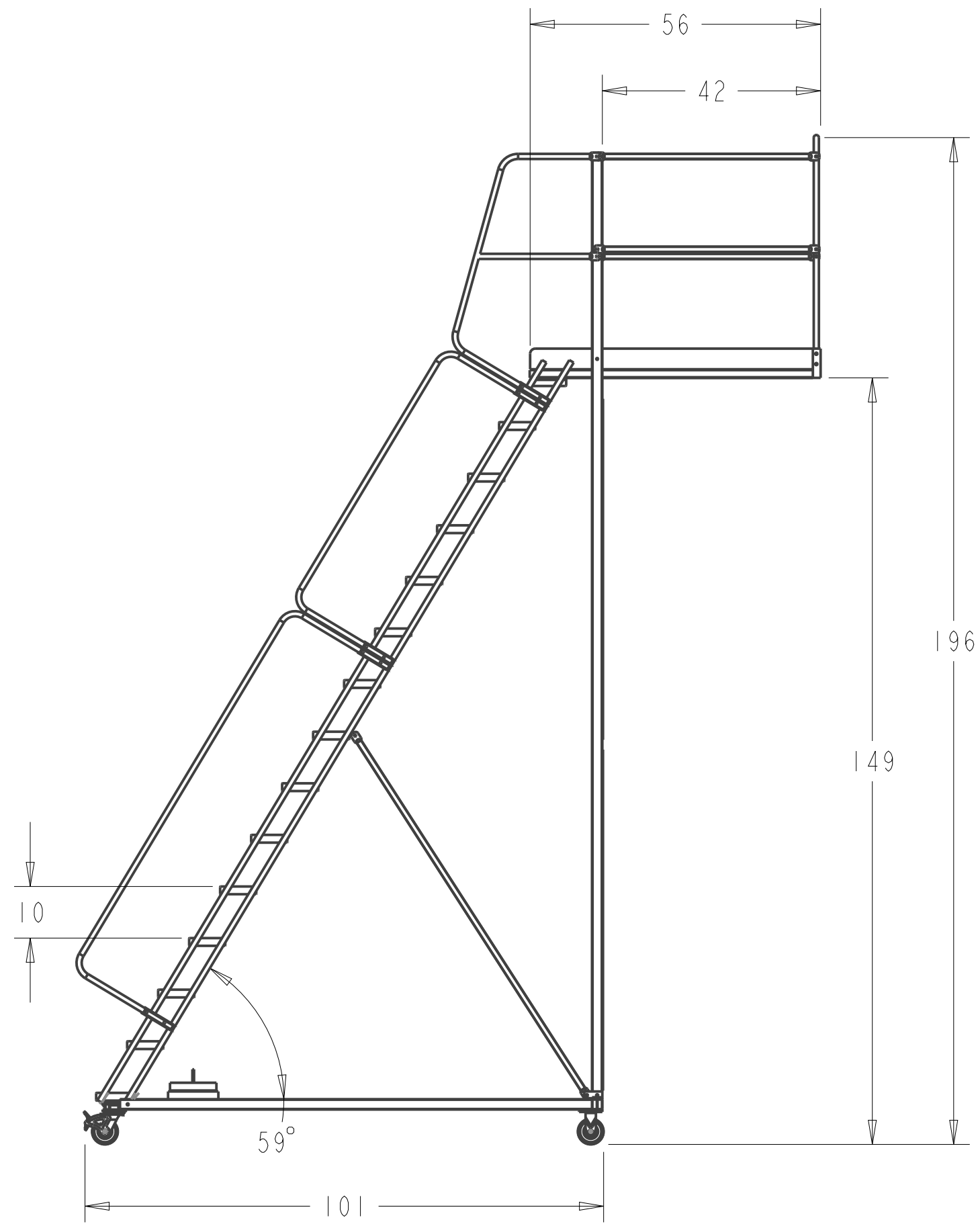
TOLERANCES  
 dimensions shown in inches  
 MATERIAL

**Ballymore Co, Inc.**

PART NAME  
 CL-15-42-P.DRW

SIZE B PART NO CL-15-42-P REV

SCALE: 0.017 Sheet 1 of 2 REV DATE: 10/5/2020



PART NO	CL-15-42-P	REV	-
SCALE: 0.040	Sheet 2 of 2		