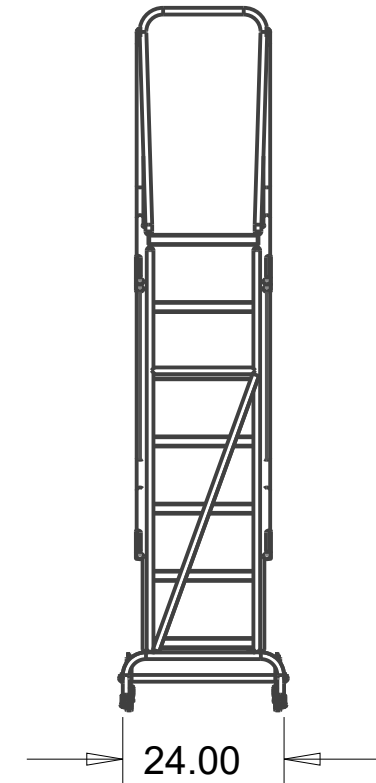
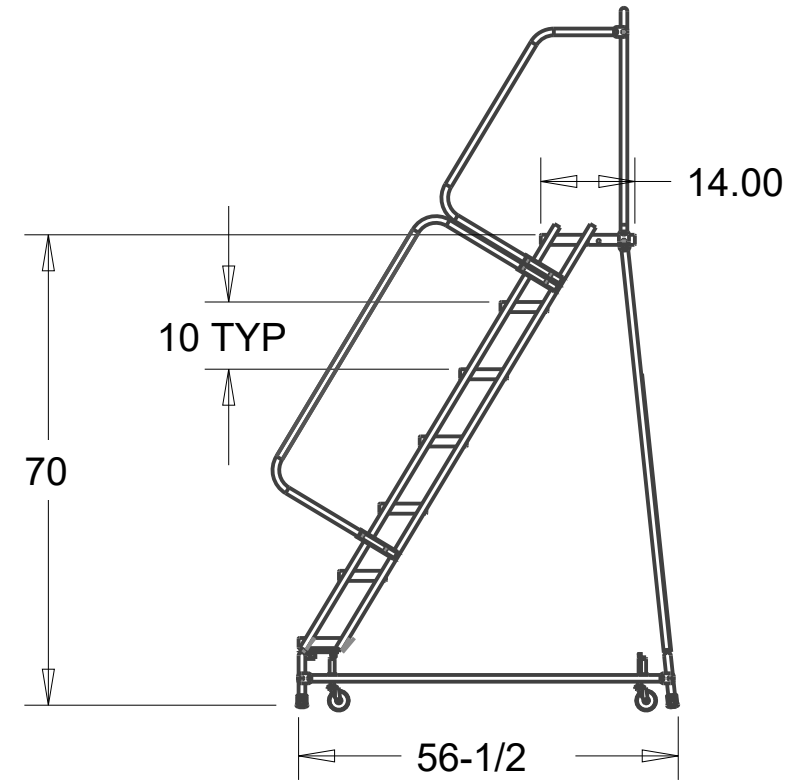


ITEM	NAME	NUMBER	QTY
1	FSH718_VERTICAL_ASSY	B0000433	1
2	BASE_ASSY_FSH718	B0000494	1
3	FSH_STAIR_SECTION 718-G	B0000434-G	1
4	TOP_STEP_G_14X16	B0000429-G	1
5	FRONT_U-BAR_ASSY_FSH6and7	B0000488	1
6	REAR_GUARDRAIL_24	90800001-57	1
7	57HANDRAILEXTENSION14-5_12L	90600001L-57	1
8	57HANDRAILEXTENSION14-5_12R	90600001R-57	1
9	57LOWERHANDRAILASSY-7	90700003_57	2
10	HANDRAIL BRACKET	00900024	6
11	3 IN SPRING LOADED SWIVEL CASTER	00400003	4



dimensions shown in inches

TOLERANCES
MATERIAL
<b>STEEL</b>

**Ballymore Co, Inc.**

PART NAME  
**FSH718G**

SIZE <b>B</b>	PART NO <b>FSH718G</b>	REV
SCALE: 0.035	Sheet 1 of 1	REV DATE: 23-FEB 2015