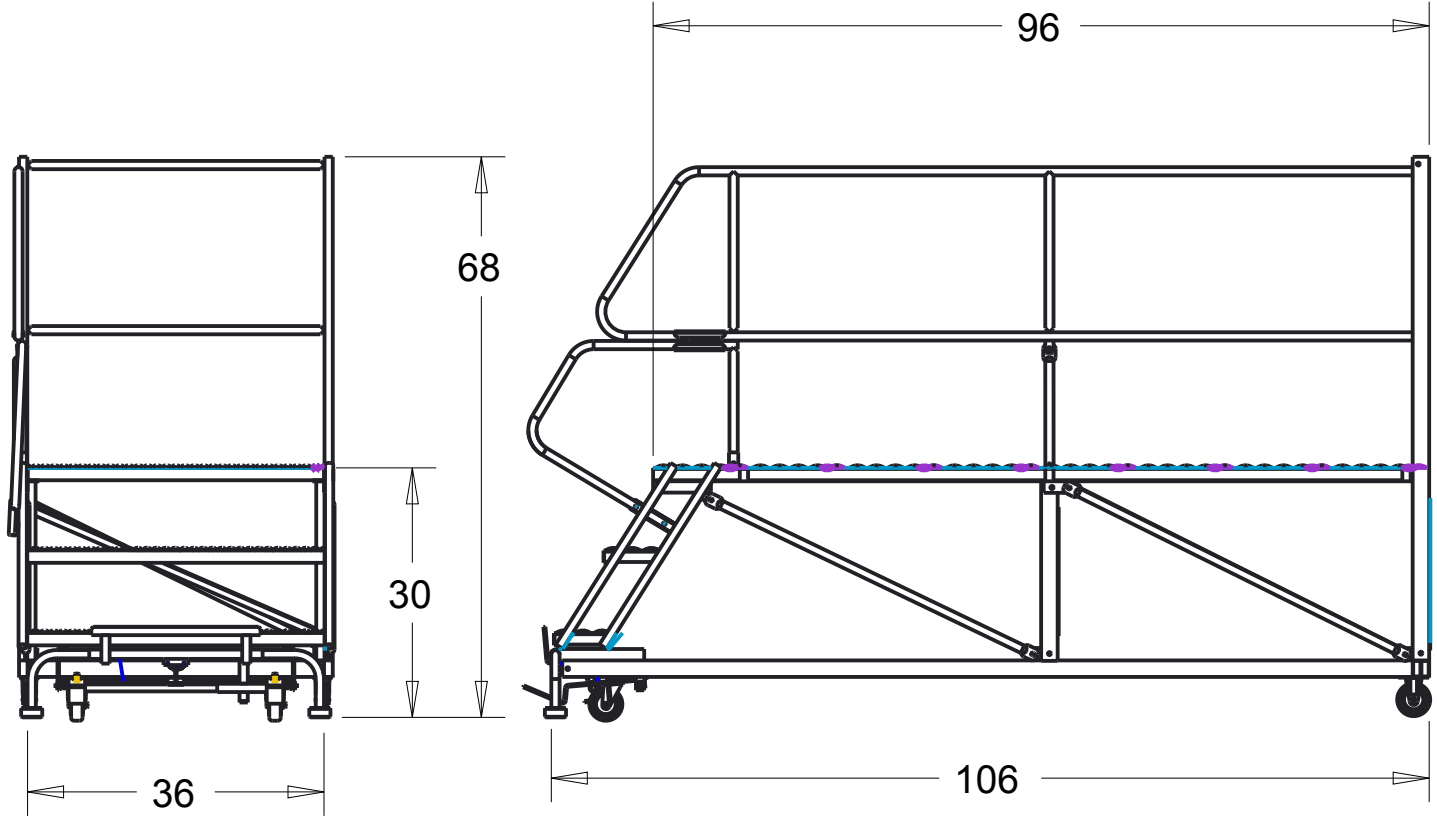
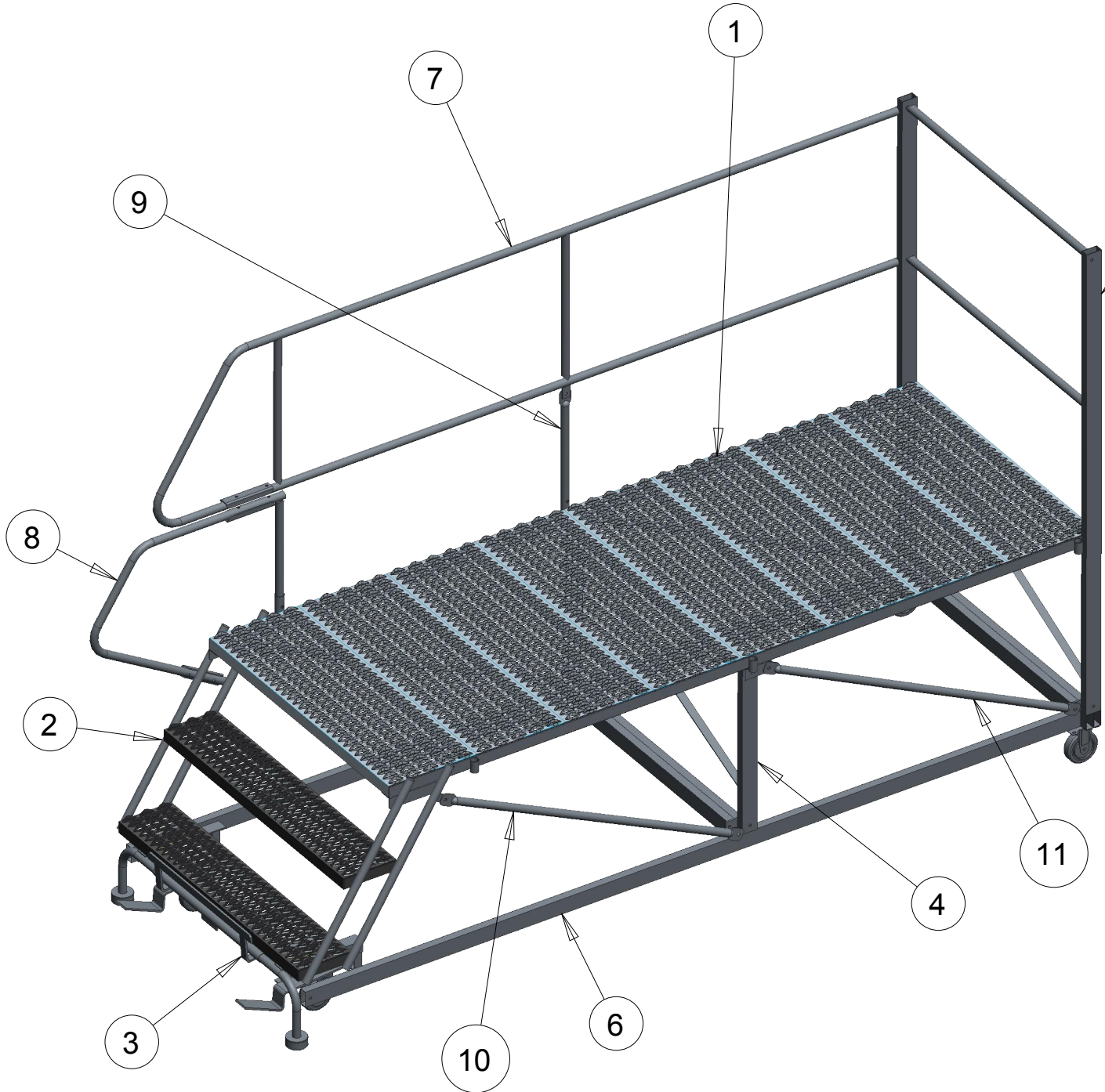


ITEM	NAME	NUMBER	QTY
1	TOPSTEPASSY-3696G-SEP-RTEX	B0001434-R	1
2	59STAIRSECTIONASSY-336SEP	C0000804	1
3	LOCKSTEPSTANDARD-36	90400003	1
4	SEPVERTASSY-336	C0000529	1
5	SEPVERTASSY-336-REEX	C0000529-EX	1
6	59SEPBASSEMB-3-3696-REEX	B0001448	1
7	DECKRAILASSY-SEP-96	B0001446	1
8	STAIRRAILASSY-SEP-348-R_59	C0000809	1
9	SEPTOPSTEPVERTICALTUBE	C0000492	1
10	BRACE_43-1_4	B0001439	2
11	BRACE_45-1_2	B0001440	2



dimensions shown in inches

TOLERANCES	
MATERIAL	STEEL

PART NAME		DS-SEP3-3696	
SIZE	B	PART	
SCALE: 0.023	Sheet 1 of 1	REV DATE:	11-AUG 2016