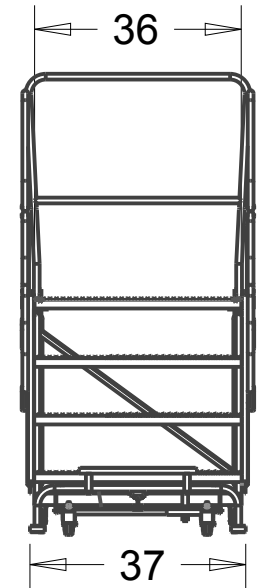
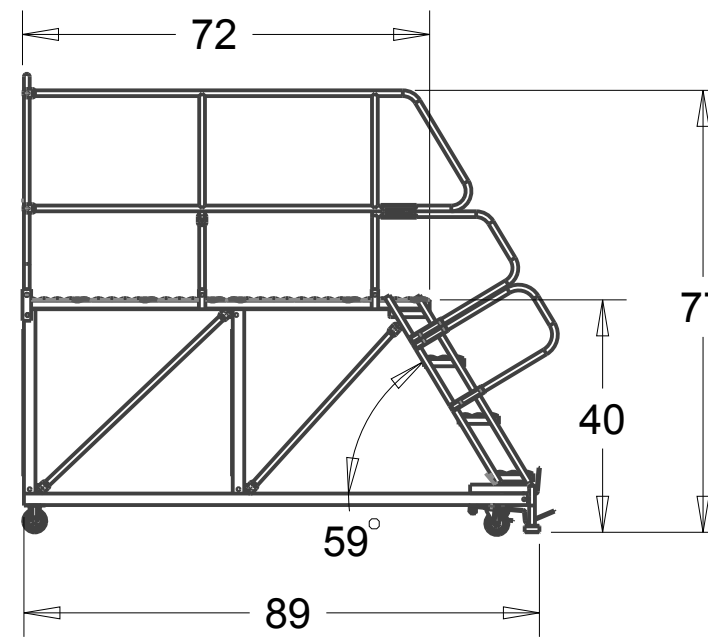
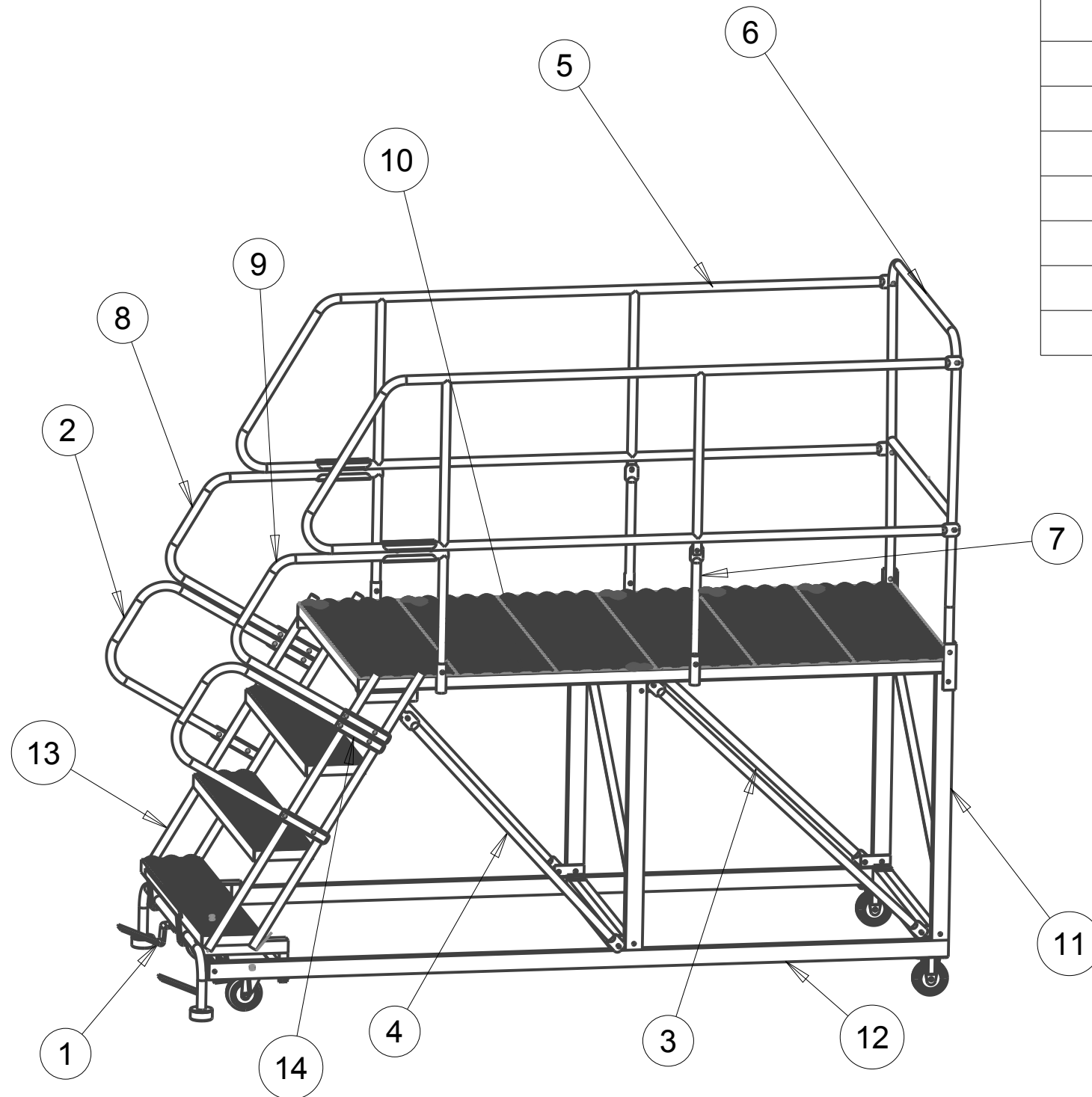


ITEM	NAME	NUMBER	QUANTITY
1	lockstepstandard-36	90400003	1
2	57lowerhandrailassy-4	B0001045	2
3	bracetube_4314	C0000447	2
4	bracetube_4394	C0000448	2
5	deckrailassy-sep-72	C0000481	2
6	rearguardassy-sep36	C0000486	1
7	septopstepverticaltube	C0000492	2
8	platform_ent_rail_assy-L	C0000500	1
9	platform_ent_rail_assy-R	C0000501	1
10	topstepassy-3672gsep	C0000527	1
11	sepvertassy-436	C0000531	2
12	59sepbaseasm-4-3672	C0000802	1
13	59stairsectionassy-436sep	C0000806	1
14	handrail_bracket	00900024	6



dimensions shown in inches

TOLERANCES

MATERIAL

STEEL

PART NAME

**DS-SEP4-3672**

SIZE

**B**

PART NO

REV

SCALE: 0.036

Sheet 1 of 1

REV DATE: 18 JUNE 2019