

Revision	Date
0	

6 Step Steel Mobile Ladder Stand

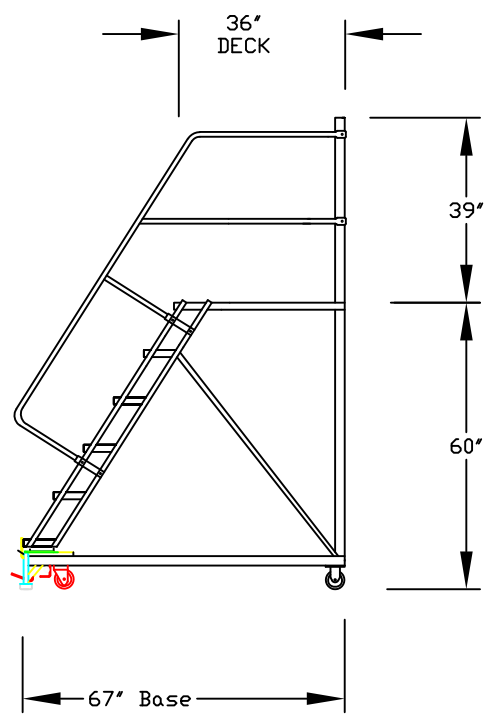
Platform Height - 60"
Overall Height - 99"
Platform Depth - +/- 36"
Platform Width - 24"

Rails : Both sides of steps - 30" high
Both sides of platform - 36" high with midrail
Rails are bolted on

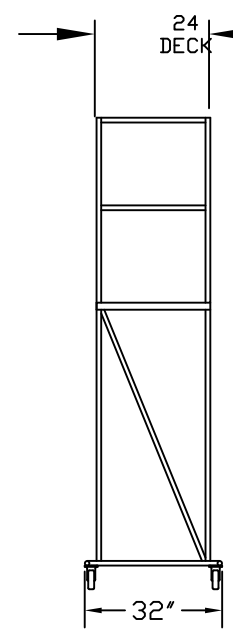
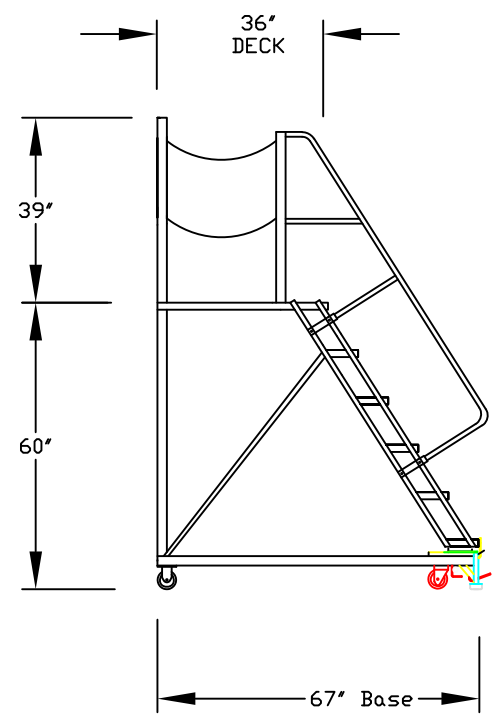
Materials :
Frame & Rails - 1" O.D. steel tubing - 16ga
Steps - Serrated Grating - 14ga
Casters - (2) 4"x1.25" rigid casters on rear
(2) 4"x1.25" swivel casters on front under bottom step
All casters have ball bearings
Note : Bottom step incorporates a lockstep mechanism

Finish : Gray paint
Capacity : 800 lbs.

Right Side



Left Side Exit



DS-SEP6-2436		
D220105BWS01		
Drawn By	BWS	Unless Otherwise Specified Dimensions are in INCHES
Date	01/05/22	
<small>THE INFORMATION HEREON IS CONFIDENTIAL AND THE PROPRIETARY PROPERTY OF BALLYMORE COMPANY P.A. AND/OR ITS SUBSIDIARIES. ANY USE, EXCEPT THAT FOR WHICH IT MAY BE LOANED, IS PROHIBITED.</small>		
Material	STEEL	