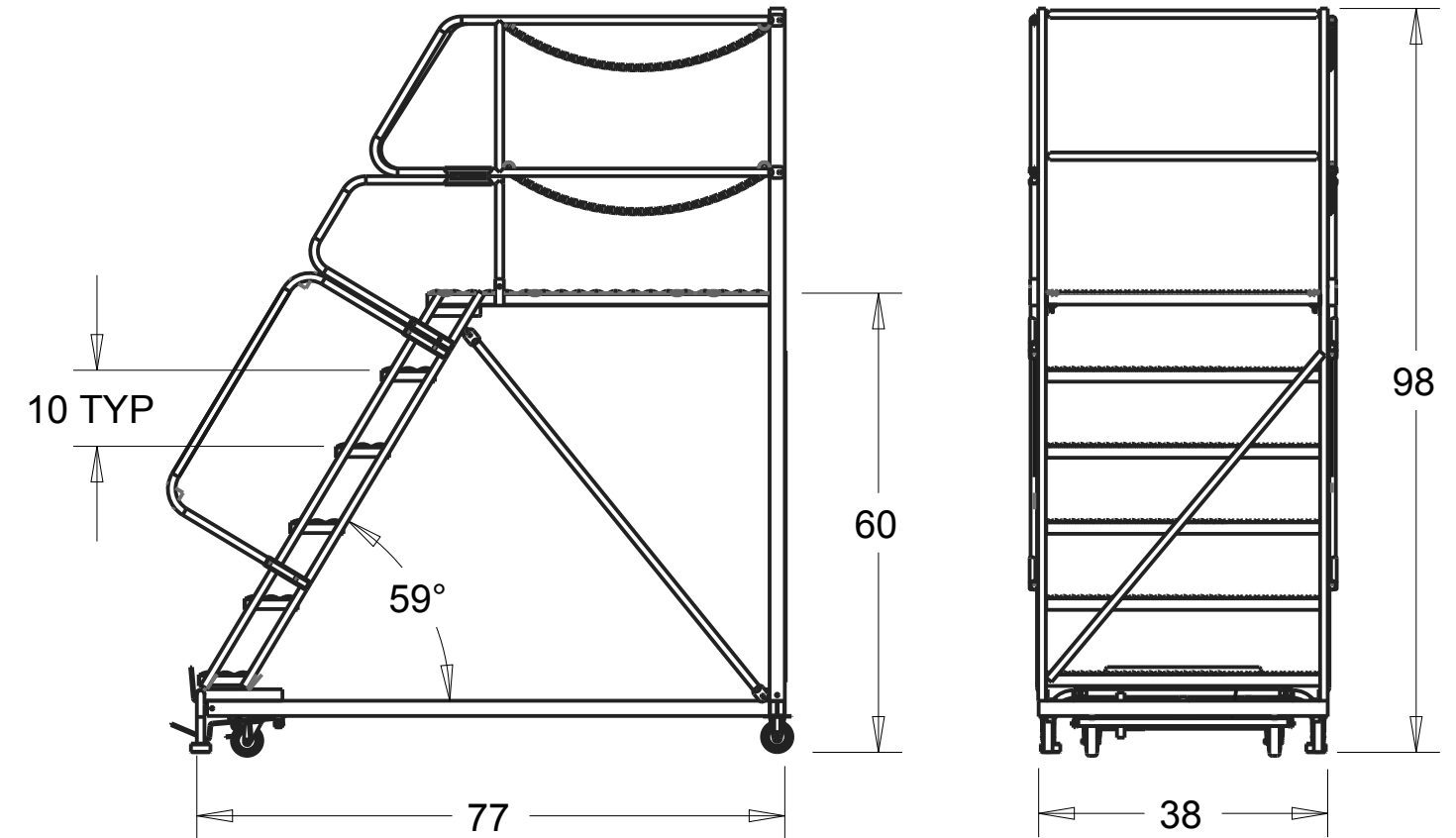
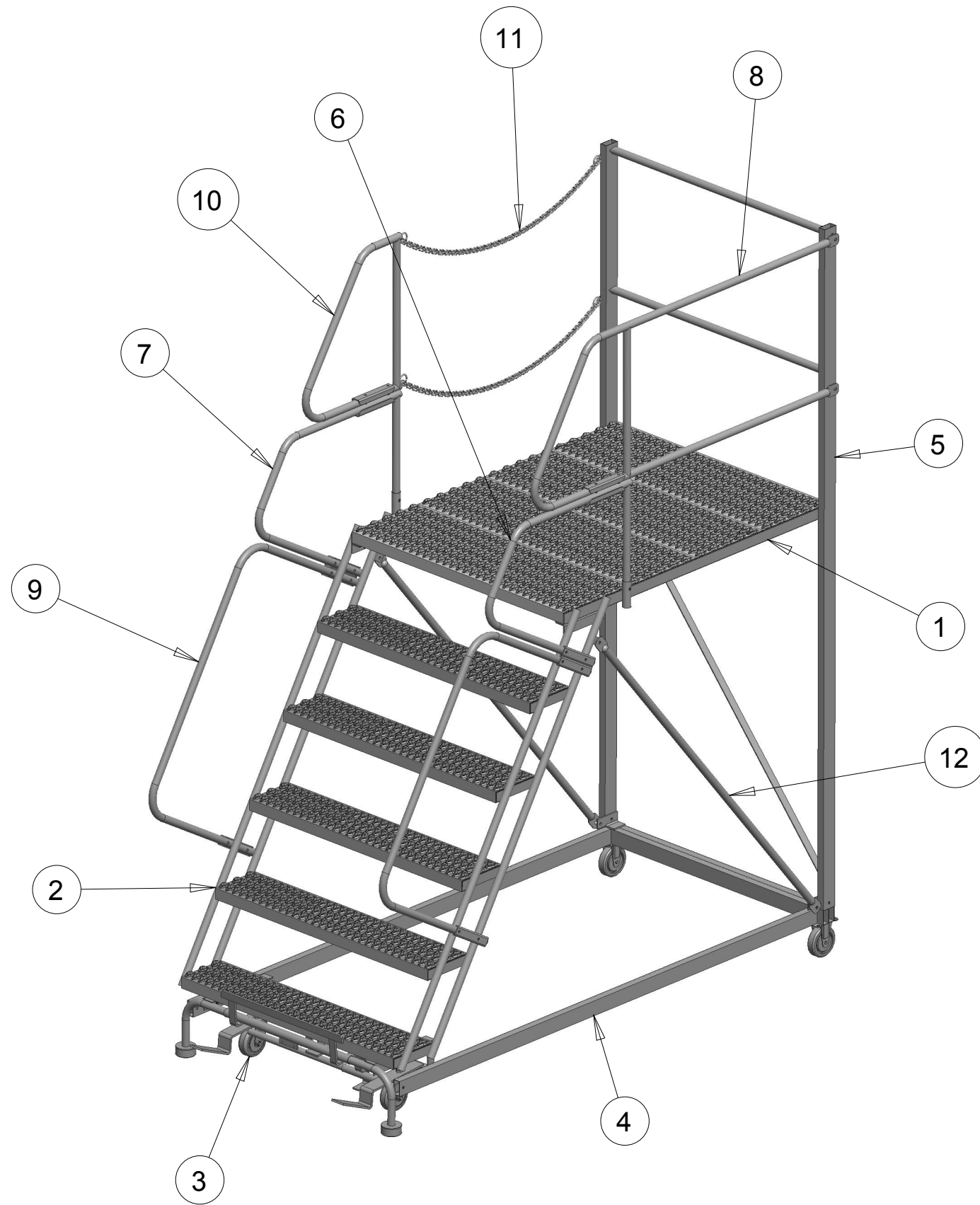


ITEM	NAME	NUMBER	QTY
1	TOPSTEPASSY-3648GSEP-EX	C0000525-EX	1
2	59STAIRSECTIONASSY-636SEP	C0000854	1
3	STANDARD LOCKSTEP 36	90400003	1
4	59SEPBASEASM-6-3648-EX	C0000828-EX	1
5	SEPVERTASSY-636-EX	C0000533	1
6	PLATFORM_ENT_RAIL_ASSY-R	C0000501	1
7	PLATFORM_ENT_RAIL_ASSY-L	C0000500	1
8	DECKRAILASSY-SEP-48	C0000479	1
9	57LOWERHANDRAILASSY-6	90700002_57	2
10	DECKRAILASSY-SEP-SIDE_EXIT	B0001236	1
11	SIDE EXIT CHAIN	00900238	2
12	BRACETUBE_6444	C0000458	2



dimensions shown in inches

TOLERANCES

MATERIAL

STEEL

PART NAME

DS-SEP6-3648

SIZE

B

PART NO

REV

SCALE: 0.040

Sheet 1 of 1

REV DATE: 29-MAR 2018