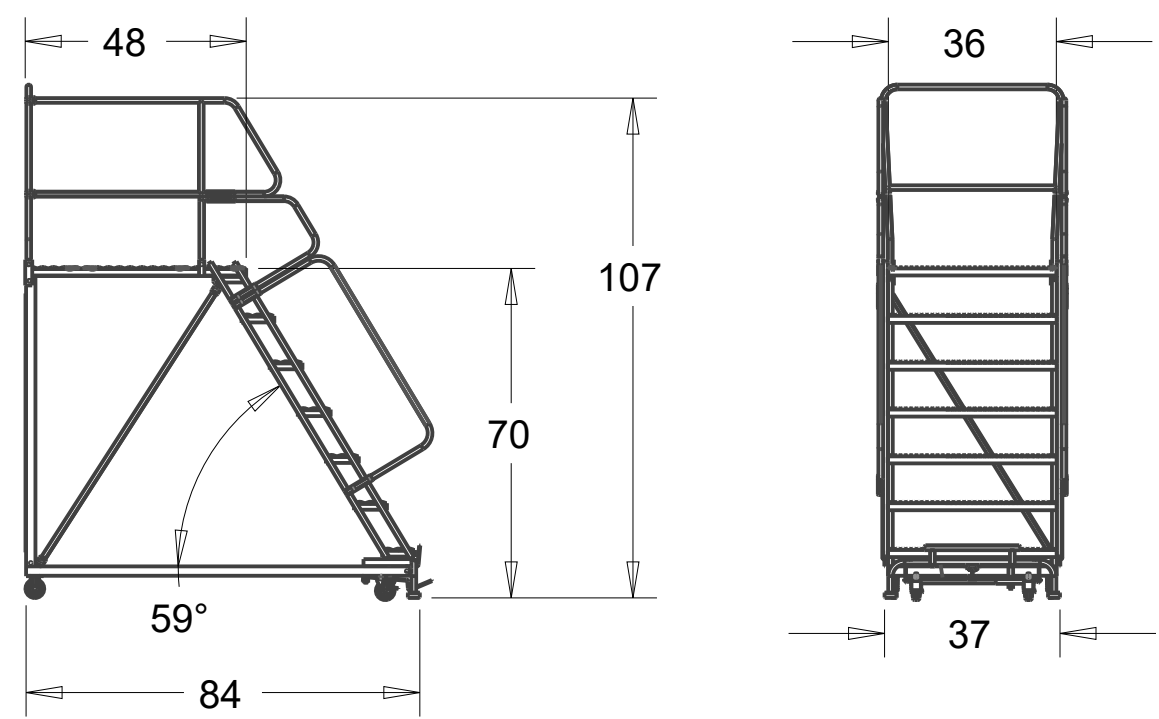
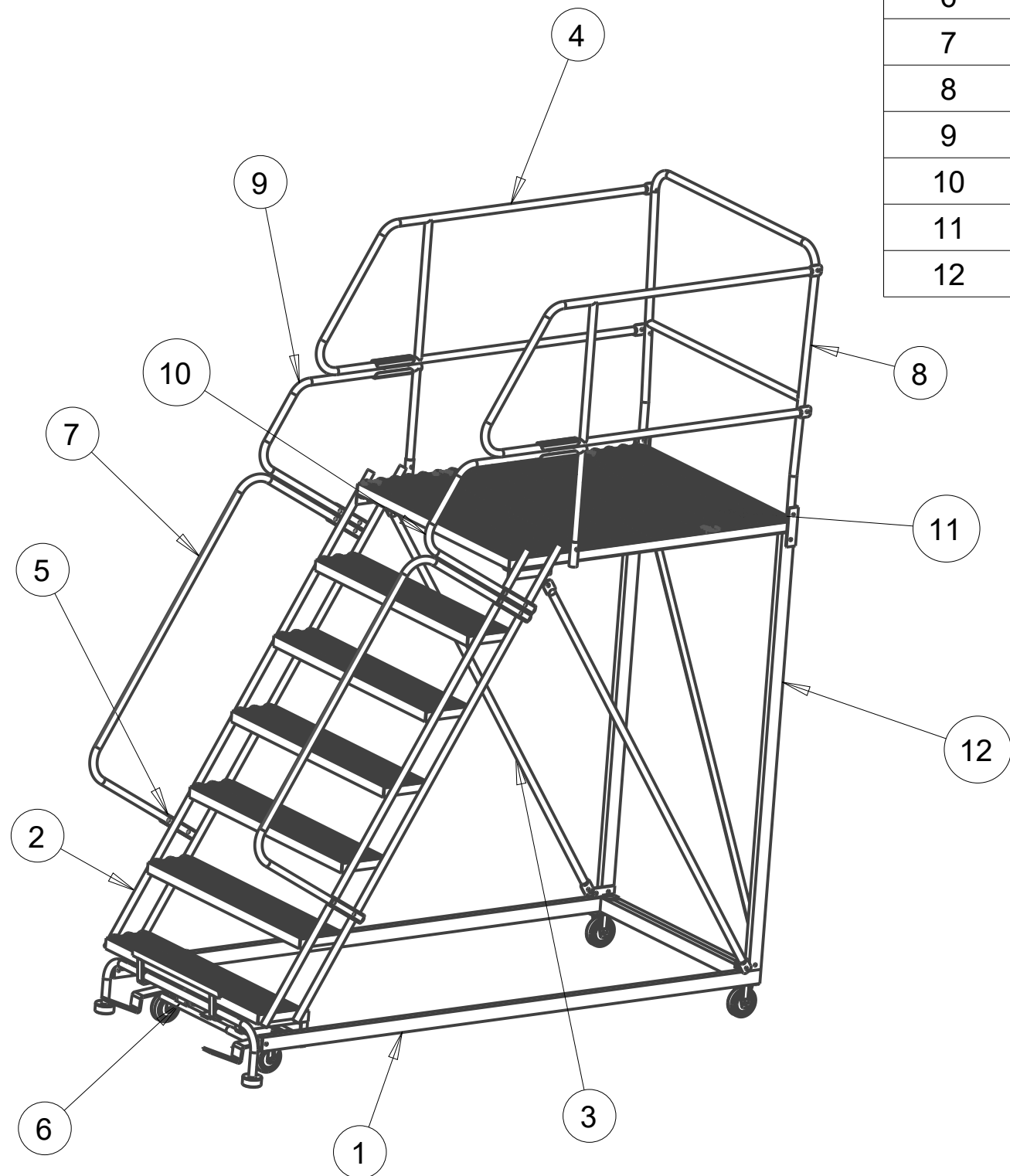


Item	Description	Part Number	Qty
1	59sepbaseasm-7-3648	C0000836	1
2	59stairsectionassy-736sep	C0000856	1
3	bracetube_7260	C0000462	2
4	deckrailassy-sep-48	C0000479	2
5	Handrail Bracket	00900024	6
6	lockstepstandard-36	90400003	1
7	57lowerhandrailassy-7	90700003_57	2
8	rearguardassy-sep36	C0000486	1
9	platform_ent_rail_assy-L	C0000500	1
10	platform_ent_rail_assy-R	C0000501	1
11	topstepassy-3648gsep	C0000525	1
12	sepvertassy-736	C0000534	1



dimensions shown in inches

TOLERANCES	
MATERIAL	Steel

PART NAME		DS-SEP7-3648	
SIZE	B	PART NO	DS-SEP7-3648
SCALE: 0.024	Sheet 1 of 1	REV	-
		REV DATE: 19 JUNE 2019	