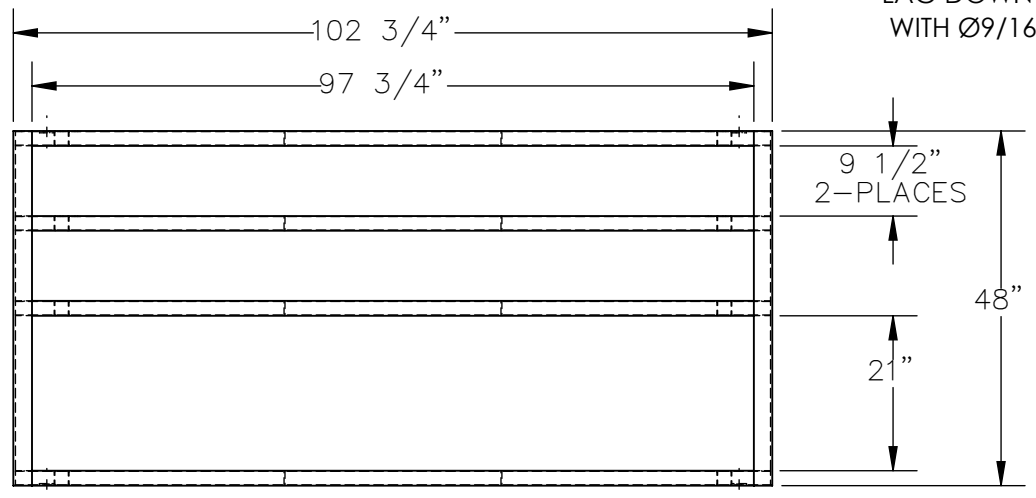
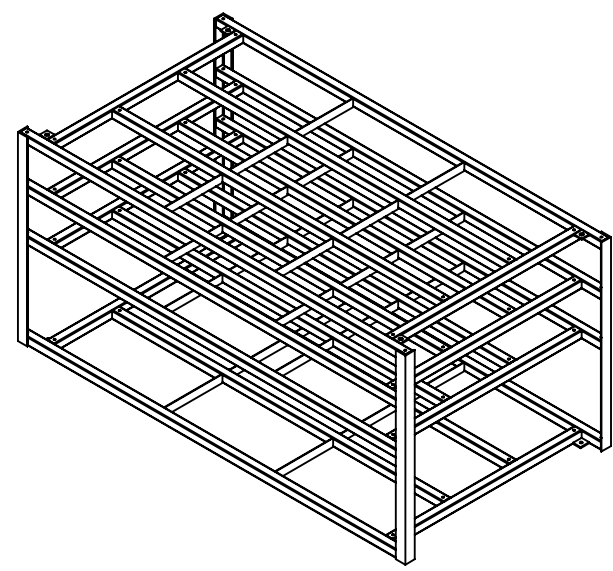
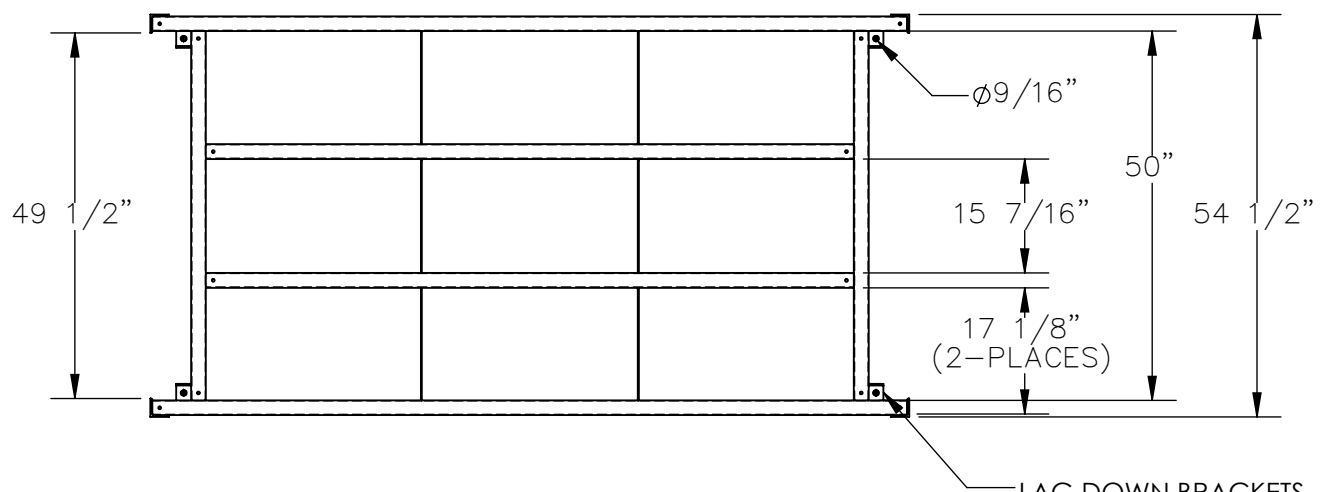


WIDE BAY HORIZONTAL SHEET RACK - SHEET-R-57-HB-3

APPROX WEIGHT: 429.65 lbs.
 DOES NOT INCLUDE WEIGHT OF POWER OR PACKAGING!!!

*** ANY ADDITIONS, DELETIONS, OR OMISSIONS MUST BE CORRECTED ON THIS DRAWING AS THIS DRAWING WILL BE CONSIDERED ALL INCLUSIVE ***

ALL GRAPHICS PROVIDED ARE FOR REFERENCE ONLY. IF CERTAIN DIMENSIONS ARE CRITICAL PLEASE VERIFY THOSE DIMENSIONS WITH YOUR SALESPERSON



LAG DOWN BRACKETS WITH Ø9/16" HOLES

DIMENSION TOLERANCE ± 1/4"

APPROVAL

I, THE UNDERSIGNED, AGREE THAT THE PRODUCT AS REPRESENTED SATISFIES DESIGN AND DIMENSION REQUIREMENTS. I ALSO ACKNOWLEDGE MY DUTY TO CONFIRM PRODUCT AND INSTALLATION COMPLIANCE WITH ALL APPLICABLE FEDERAL, STATE AND LOCAL REGULATIONS AND STANDARDS.

UNITS REQUIRING APPROVAL DRAWINGS OR MODIFIED ARE NON-RETURNABLE

[] As drawn [] As marked

Signed: _____ Date: _____

Printed Name: _____

LEAD TIME WILL START UPON RECEIPT OF SIGNED APPROVAL DRAWING

SPECIAL FEATURES
 NONE

STANDARD FEATURES

- MODEL NUMBER IS: SHEET-R-57-HB-3
- CAPACITY: 2,000 LBS. PER SHELF
- MAX SINGLE UNIT CAPACITY: 10,000 LBS
- OVERALL WIDTH: 54 1/2"
- USABLE WIDTH: 49 1/2"
- OVERALL LENGTH: 102 3/4"
- USABLE LENGTH: 97 3/4"
- OVERALL HEIGHT: 48"
- 4 SHELVES
- DISTANCE BETWEEN WIDE SHELF: 21"
- DISTANCE BETWEEN STANDARD SHELVES: 9 1/2"
- UNIT SUPPLIED WITH LAG DOWN BRACKETS
- TOUGH BAKED IN POWDER COATED BLUE FINISH
- HARDWARE NOT INCLUDED

DISTRIBUTOR'S NAME:		P.O.#
VESTIL MANUFACTURING		X
W.O.#	X	
DRAWN BY: JGP	DATE: 10/23/2020	SALES: X
REFERENCE: X	SCALE: 1:26	FILE NAME:
QUOTED LEAD TIME: X	QUOTE # X	31-007-354