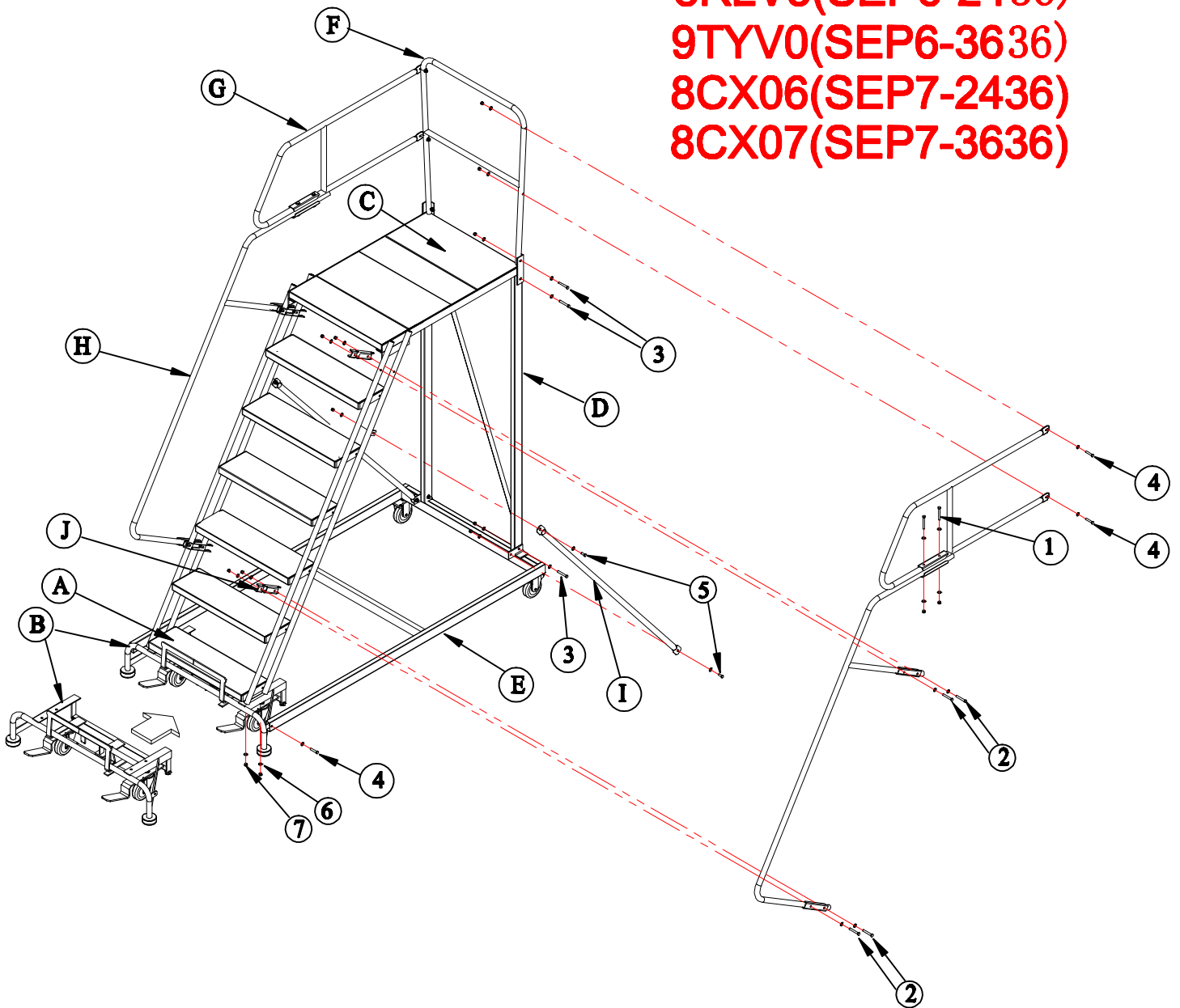


9F718(SEP5-2436)
8CVM0(SEP5-3636)
8RLV5(SEP6-2436)
9TYV0(SEP6-3636)
8CX06(SEP7-2436)
8CX07(SEP7-3636)



P/N	DESCRIPTION	QUANTITY	P/N	DESCRIPTION	QUANTITY
A	STAIR SECTION	1	1	BOLT M8*65	4
B	LOCKSTEP	1	2	BOLT M8 x 55	8
C	PLATFORM	1	3	BOLT M8 x 45	6
D	VERTICAL WELDMENT	1	4	BOLT M8 x 40	6
E	BASE WELDMENT	1	5	BOLT M8 x 20	4
F	GUARDRAIL	1	6	WASHER 8	64
G	UPPER HANDRAIL	2	7	LOCKNUT M8	36
H	LOWER HANDRAIL	2			
I	DIAGONAL BRACE	2			
J	HANDRAIL BRACKET	4			